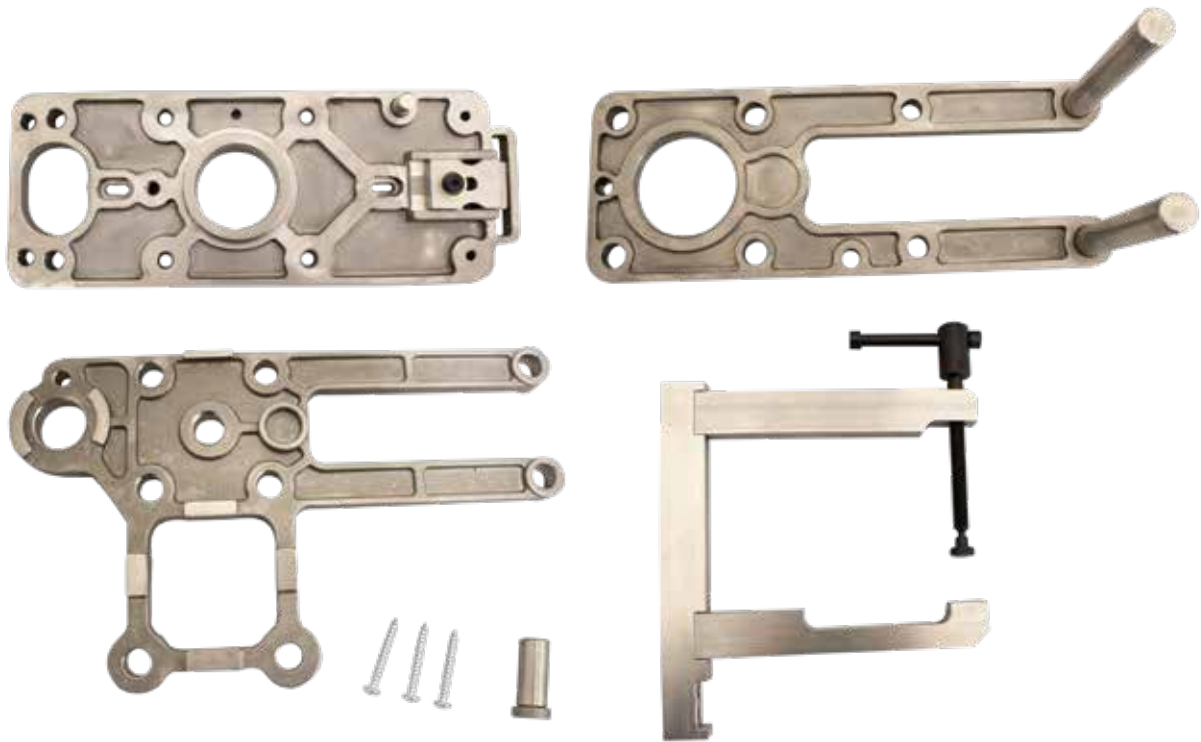


LOCK ONE
LKM10K
High Security Life Safety Exit Device

Deluxe Installation Fixture For The LKM10K Lock Series

LKM10KIFAC



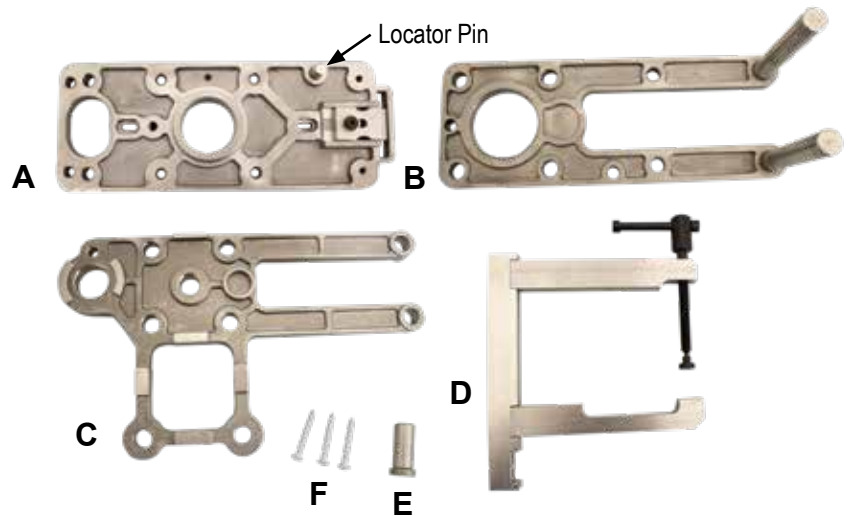
The LKM10K Deluxe Installation Fixture is a multifunctional fixture used to install the LKM10K Lock Series packages.

LOCKMASTERS
INCORPORATED

2101 John C. Watts Drive
Nicholasville, KY 40356
800.654.0637 • 859.885.6041 • Fax 859.885.1731
www.lockmasters.com

Main Components

- A- Bolt Position Fixture (1)
- B- Inside Back Plate Fixture (1)
- C- Front Plate Fixture (1)
- D- Adjustable C-clamp (1)
- E- Insert Bushing (1)
- F- #10x1" Pan Head Phillips Screws (3)



Step 1 - Separate the Bolt Position Fixture (A) from the Inside Back Plate Fixture (B) by loosening the wing nut, but leave the wing nut installed.

Step 2 - Follow Step 1 in the LKM10K Lock Installation instruction to temporarily mount the strike to the door frame.



Step 2 - Temporary mount strike to door frame 43" from the floor per LKM10K Lock Series Installation Instructions

Step 3 - Align the Bolt Position Fixture (A) on the door over the strike making sure the fixture bail does not touch any part of the strike, level and center punch the (2) slotted mounting holes in the fixture.



Step 3 - Align the Bolt Position Fixture on the door without touching the strike.

Step 4 - Drill Pilot Holes on the (2) punched holes with a 1/8" drill bit. Wood door applications drill 1" in depth.



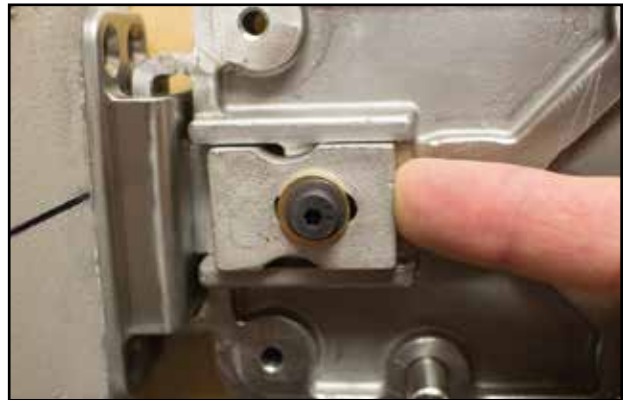
Step 4 - Drill Pilot Holes for the (2) punched holes

Step 5 - Once in position; use the self-tapping screws (F) in the (2) slotted holes in the Bolt Position Fixture to secure the fixture to the door. Alternate tightening the screws and do not completely tighten.



Step 5 - Once in position secure the Fixture to the door with the (2) self-tapping screws (F) using the slotted holes.

Step 6 - Once the fixture is secured; test the positioning of the bolt in the strike by moving the simulated bolt on the fixture in and out of the strike. This bolt should clear the strike on all four sides, if the bolt does not clear the strike opening then reposition the strike or re-adjust the fixture by loosening the mounting screw and slide the fixture left or right as needed. Once aligned screw the (2) screws



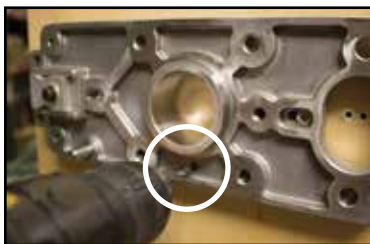
Step 7 - Once secure test the bolt position in the strike confirm the bolt doesn't touch the strike.

NOTE: The strikes provided with the LKM10K Lock Series are designed to allow adjustments to the strike via the (2) slotted mounting holes.

Step 7 - Once both of those screws are in secured. Take an 1/8" drill bit and drill a pilot hole in the final attaching hole, under the Spindle Hole Bushing and attach with a self-tapping screw.



Step 6 -All three mounting screws in place



Step 8 - Now that the Bolt Position Fixture is in place; seat the Back Plate Fixture (B) over the locator pin and the raised drill bushing located on the Bolt Position Fixture. The two alignment rods should extend beyond the door edge. Tighten the wingnut to secure



Step 8 - Seat the Back Plate Fixture over the locator pin and tighten the wing nut.

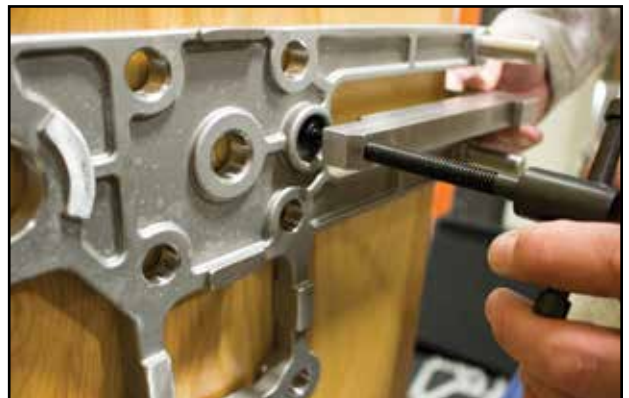
Step 9 - Slide the Front Plate Fixture (C) over the alignment rods of the Back Plate Fixture (B) until it is flush with the surface of the door.



Step 9 - Slide the Front Plate Fixture over the alignment rods.

Step 10 - Secure the entire fixture to the door using the large C-Clamp (D) provided. **Take care to install the clamp into the milled shaped on each side of the drill fixture.** Turn the clamp lever to tighten the fixture against the door.

Note: The C-Clamp can be adjusted to accommodate thicker doors.



Step 10 - Secure the entire Fixture to the door using the large C-Clamp.



Milled circle on the Front Plate Fixture seats the clamp's screw.



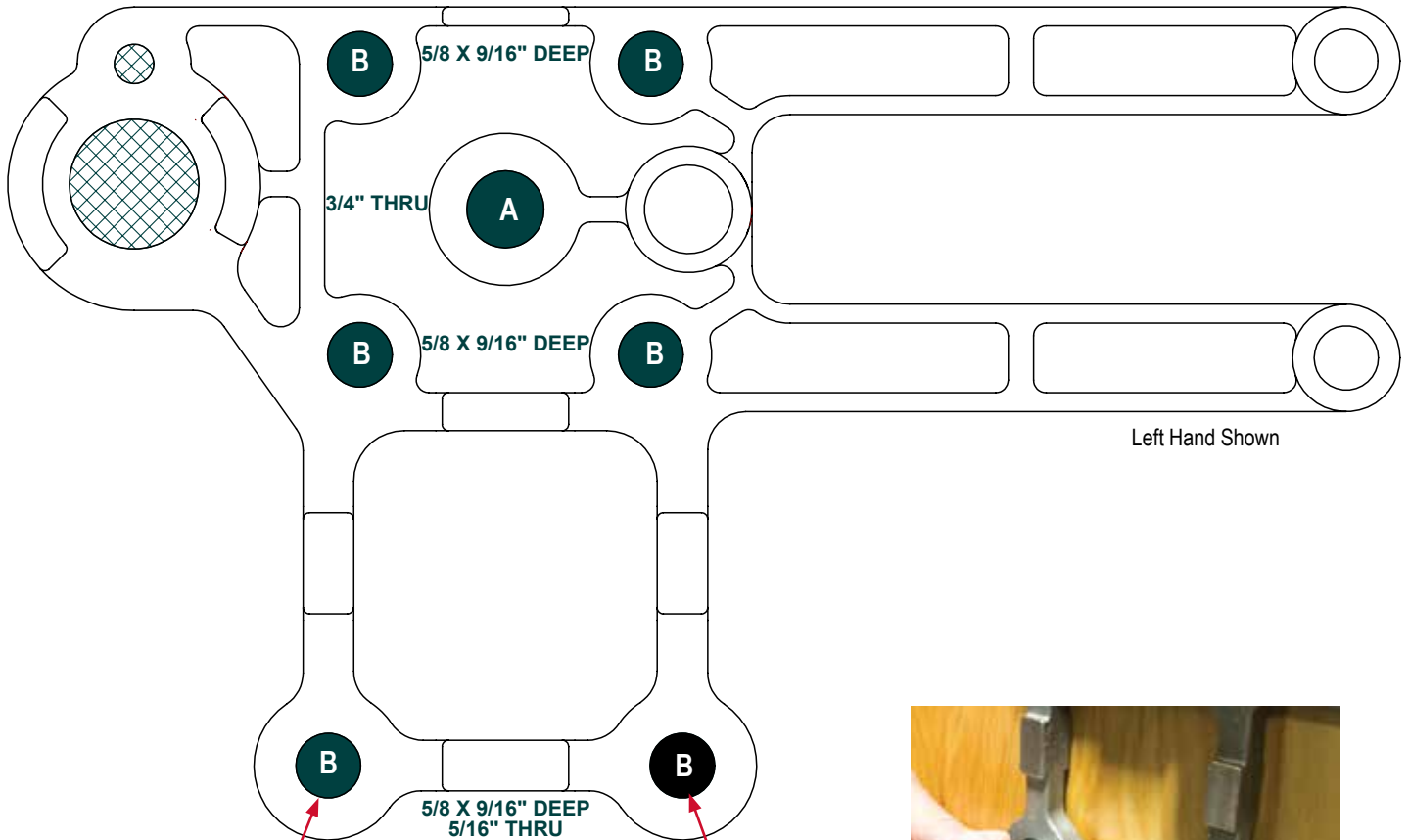
Milled oblong circle on the Inside Back Plate Fixture seats the clamp portion

The diagrams below indicate the correct holes to be drilled depending on the lock being installed. Drill only the holes that are in black.

LKM10K Push Pull Handle & Panic Bar Model Exterior Trim

WITHOUT Key Override

DRILL ONLY THE SOLID BLACK HOLES



When drilling the 2 lower (B) holes, use a 5/8" bit to drill these holes first. Then insert the provided Drill Bushing (E) and use a 5/16" bit to drill the hole through.

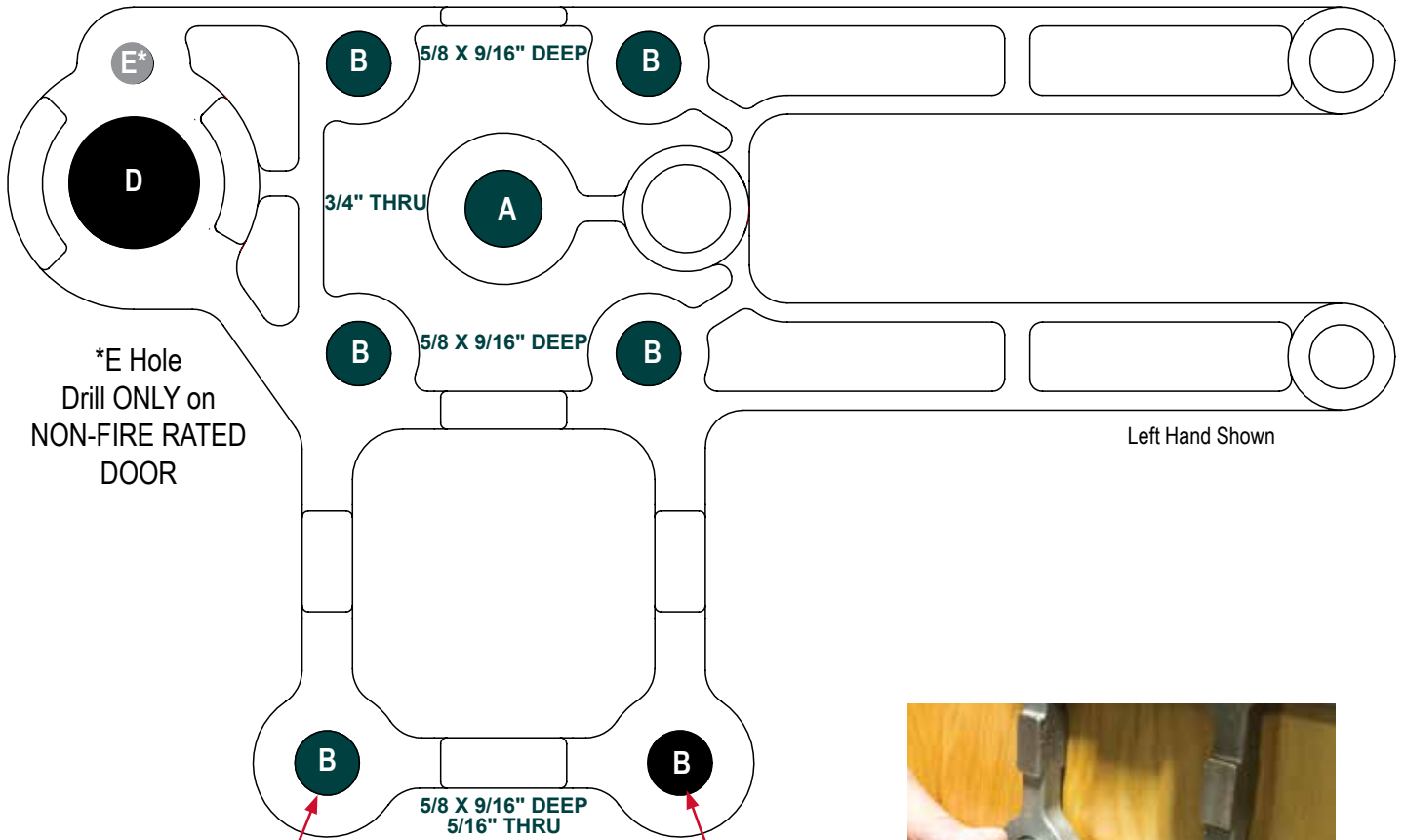


The diagrams below indicate the correct holes to be drilled depending on the lock being installed. Drill only the holes that are in black.

LKM10K Push Pull Handle & Panic Bar Model Exterior Trim

WITH Key Override

DRILL ONLY THE SOLID BLACK HOLES



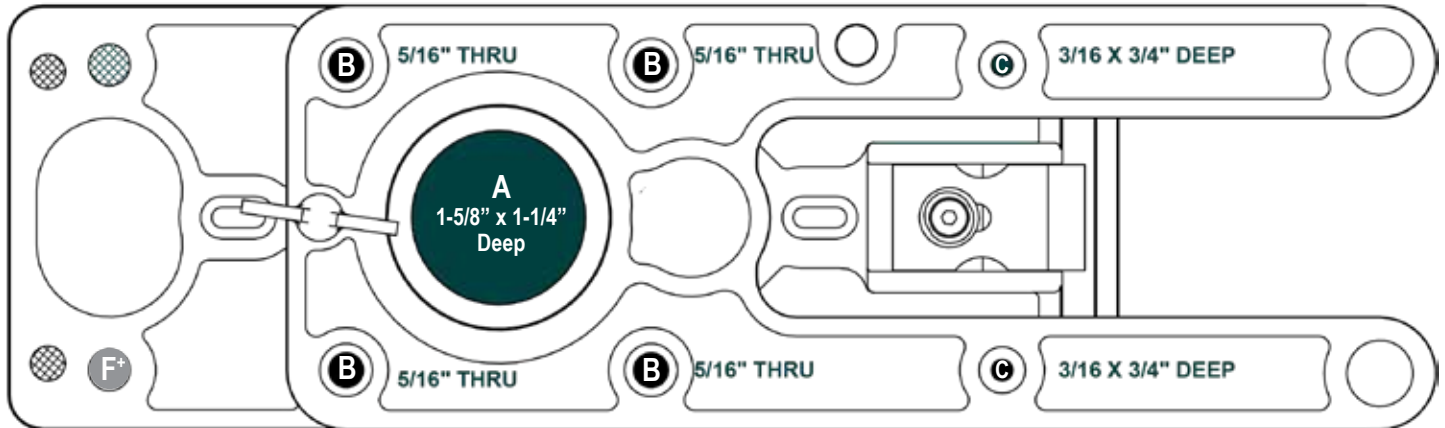
When drilling the 2 lower (B) holes, use a 5/8" bit to drill these holes first. Then insert the provided Drill Bushing (E) and use a 5/16" bit to drill the hole through.



The diagrams below indicate the correct holes to be drilled depending on the lock being installed. Drill only the holes that are in black.

LKM10K Push Pull Handle & Panic Bar Model Base Plate WITHOUT Key Override

DRILL ONLY THE SOLID BLACK HOLES

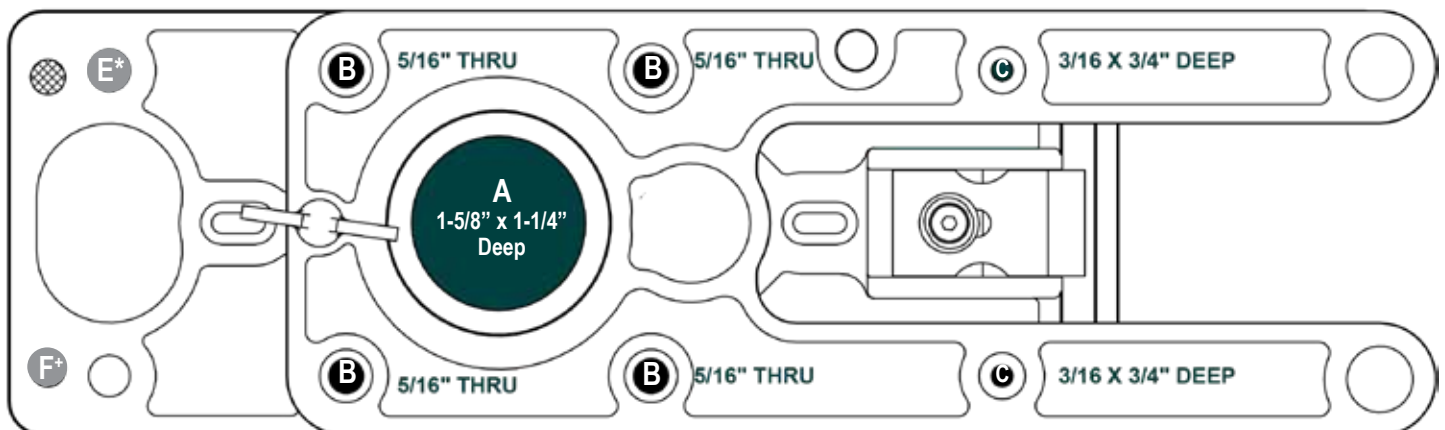


*F Hole - Drill ONLY to intercept internal raceway

Left Hand Shown

LKM10K Push Pull Handle & Panic Bar Model Base Plate WITH Key Override

DRILL ONLY THE SOLID BLACK HOLES



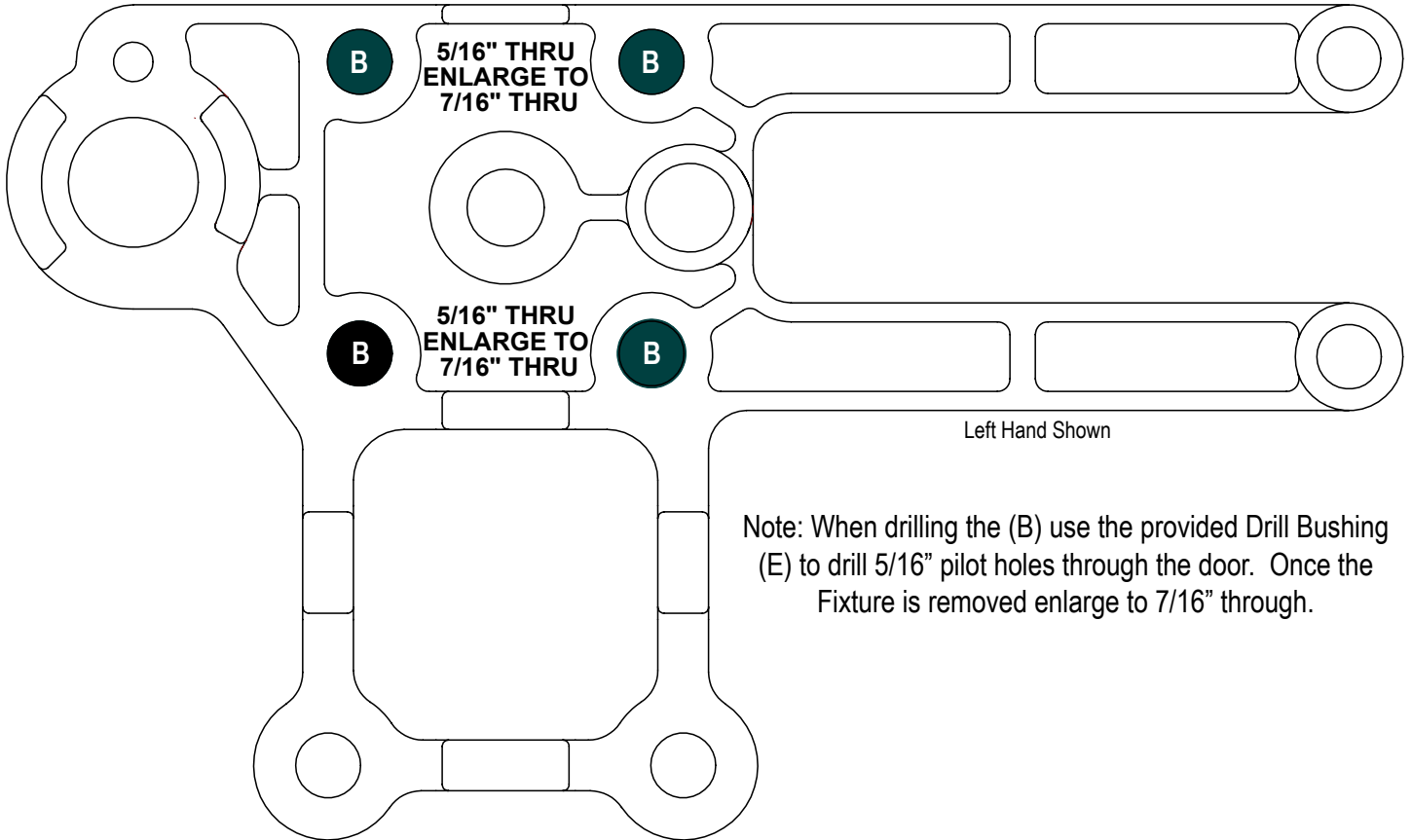
*E Hole - Drill ONLY on NON-FIRE RATED DOOR

*F Hole - Drill ONLY to intercept internal raceway

LKM10K Push Pull Handle & Panic Bar

EXIT ONLY Model Exterior Trim Plate

DRILL ONLY THE SOLID BLACK HOLES

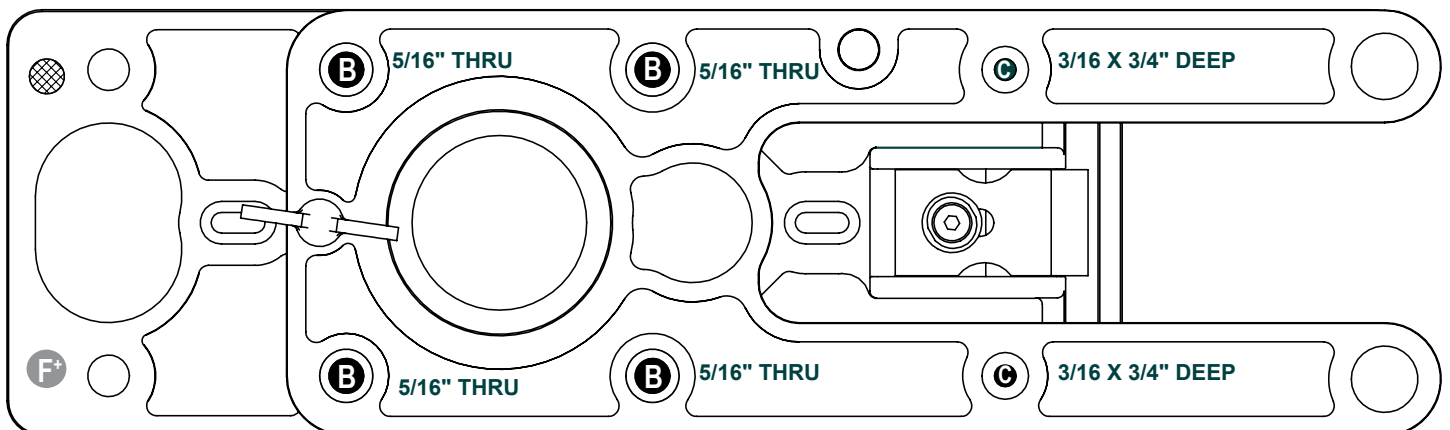


Left Hand Shown

Note: When drilling the (B) use the provided Drill Bushing (E) to drill 5/16" pilot holes through the door. Once the Fixture is removed enlarge to 7/16" through.

LKM10K Push Pull Handle & Panic Bar

EXIT ONLY Model Base Plate



Left Hand Shown

*F Hole - Drill ONLY to intercept internal raceway